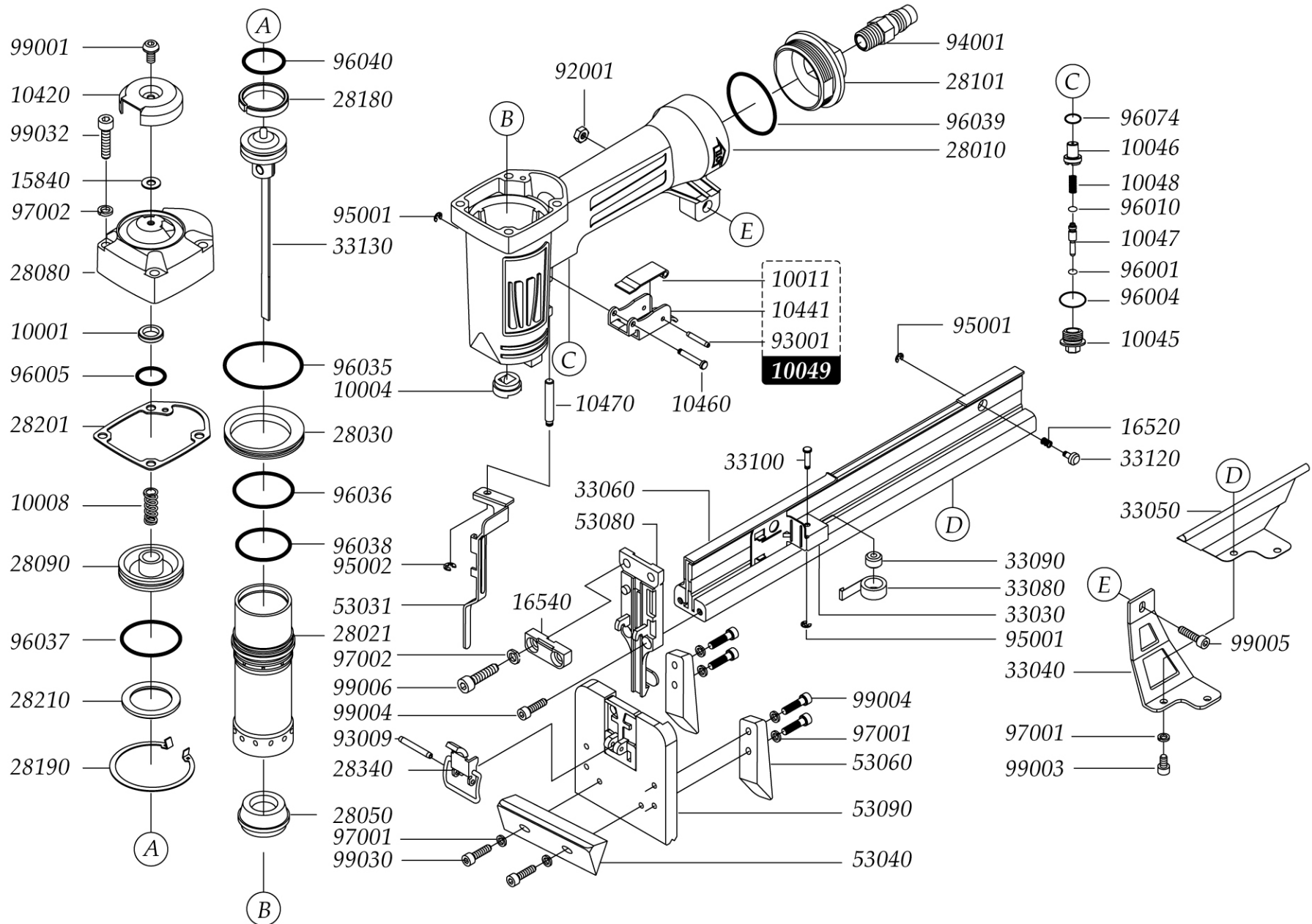


Grex 9032F

Wood-Laminate Flooring Stapler

EXPLODED DIAGRAM



Grex 9032F

Wood-Laminate Flooring Stapler

PARTS LIST

Part No.	Description
10001	Seal
10004	Ram Guide
10008	Spring
10011	Secondary Trigger
10045	Trigger Valve Guide
10046	Trigger Valve Head
10047	Trigger Valve Stem
10048	Spring
10049	Trigger Assembly
10420	Deflector
10441	Primary Trigger
10460	Stepped Pin
10470	Rod
15840	Seal
16520	Spring
16540	Nose Cover B
28010	Gun Body
28021	Cylinder
28030	Cylinder Spacer
28050	Bumper
28080	Cap
28090	Head Valve Piston
28101	End Cap
28180	Piston O-Ring
28190	C-Ring
28201	Cap Gasket
28210	Collar
28340	Nose Cover Latch
33030	Pusher
33040	Latch Bracket
33050	Plate
33060	Magazine
33080	Roller Spring
33090	Rolling Element

Part No.	Description
33100	Roll Pin
33120	Button
33130	Piston Ram Assembly
53031	Safety
53040	Front Foot
53060	Rear Foot
53080	Nose
53090	Front Nose Plate
92001	Lock Nut
93001	Spring Pin
93009	Spring Pin
94001	Coupling Plug
95001	E-Ring
95002	E-Ring
96001	O-Ring
96004	O-Ring
96005	O-Ring
96010	O-Ring
96035	O-Ring
96036	O-Ring
96037	O-Ring
96038	O-Ring
96039	O-Ring
96040	O-Ring
96074	O-Ring
97001	Spring Washer
97002	Spring Washer
99001	Hex. Soc. Head Screw
99003	Hex. Soc. Head Screw
99004	Hex. Soc. Head Screw
99005	Hex. Soc. Head Screw
99006	Hex. Soc. Head Screw
99030	Hex. Soc. Head Screw
99032	Hex. Soc. Head Screw